

# AB COCKS MABI

## MABI VIII-KAF, PN160, G1/2"



- Product details**
- » Pressure gauge stop cock
  - » PN160
  - » Cylindrical plug
  - » Carbon steel VIII
  - » Elastic packing sleeve KAF
  - » With hand lever

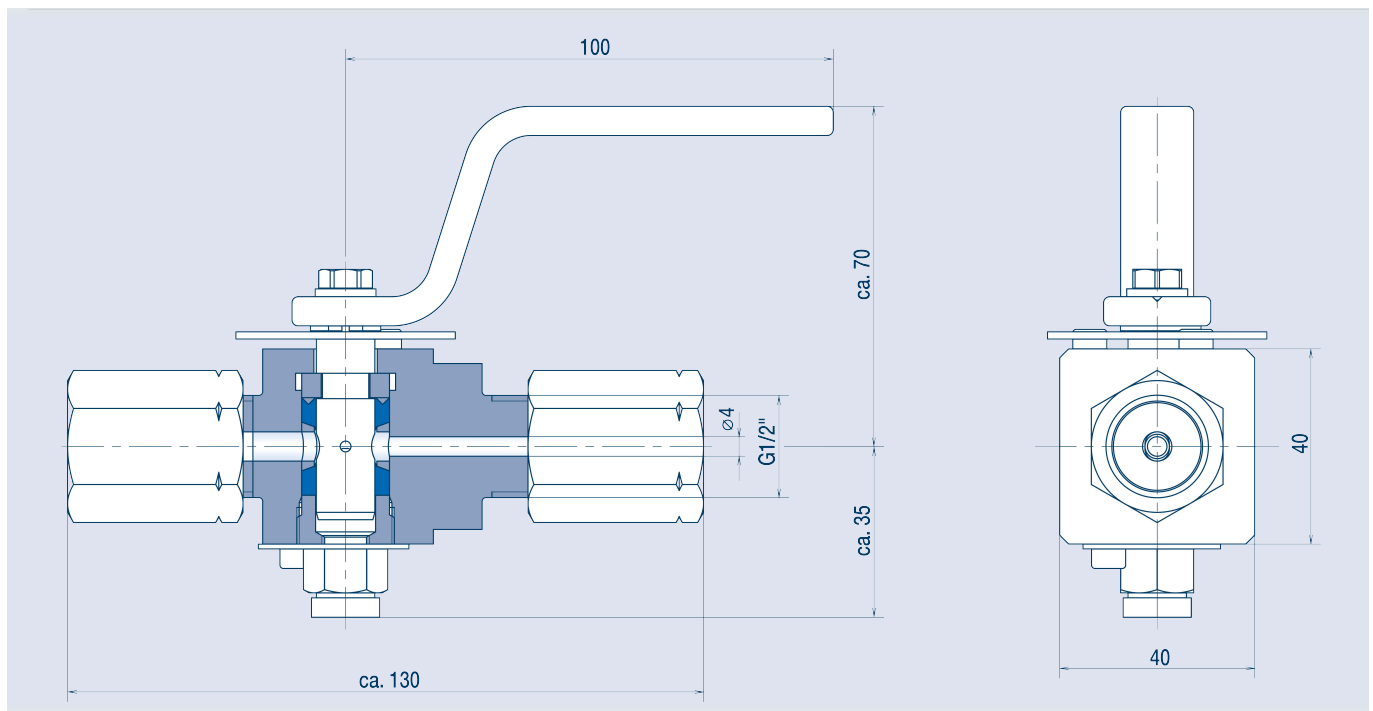
- General features**
- » 90°-rotation ensures immediate opening and closing procedure
  - » Hand operation enables throttling, therefore usage in blow-down lines possible
  - » Simple maintenance: The packing sleeve can be replaced within minutes with the cock staying in the line
  - » No jamming caused by corrosion

**Connections** Both sides: clamping sleeve G1/2"

**Certificates** VDI 2440

**Temperature** VIII-KAF -60°C to +400°C, PN160

**Dimensions** Body length 125 mm



### Application range

District Heating | Processing industry | Automation | Geothermal energy | Shipbuilding industry | Diesel engines | Oil & Gas | Compressed-air supply | Instrumentation & Control | Electric supply | Energy generating companies

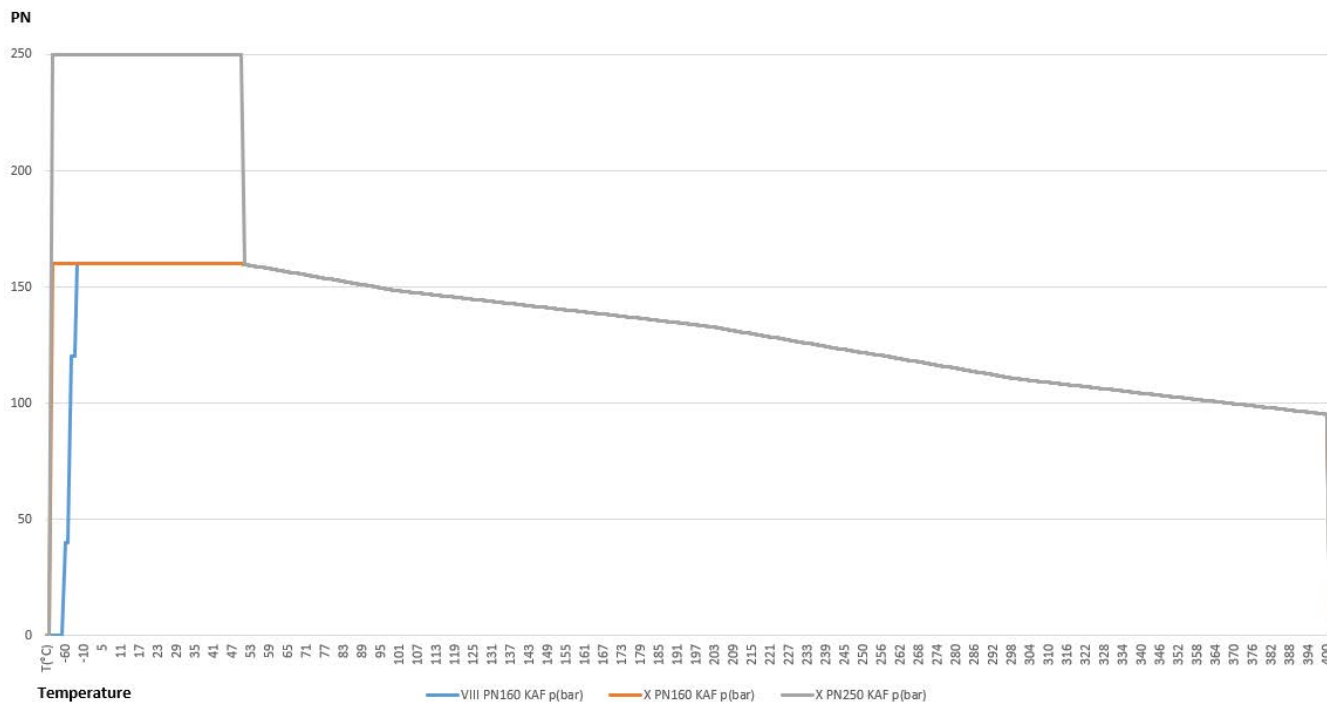
### The packing sleeve

Under pressure the lamellas of the elastic packing sleeve are pressed against the body wall and thereby an excellent seal is achieved. The KAF is suitable for high temperatures up to 400°C.



# AB COCKS MABI

Pressure and temperature ranges / Parts list



## Parts list

Pos.	number	name
1	1	Body
2	1	Packing sleeve
3	1	Cock plug
4	2	Split ring
5	1	Tightening nut
6	1	Locking disc
7	3	Fillister head screw
8	1	Stop
9	1	Secure ring
10	1	Hand lever
11	1	Disc
12	1	Hexagon head screw
13	1	Gasket
14	1	Screw plug
15	2	Tightening screw

